

SCB-C08

USB to RS232/422/485 Converter



Specifications

USB Interface	Compliant with USB V1.0 and V2.0
RS-232 signal	5 full-duplex (TXD, RXD, CTS, RTS, GND).
RS-422 signal:	4 half-duplex wires (TX+, RX+, TX-, RX-).
RS-485 signal:	2 half-duplex wires (D+, D-).
Cable Type	USB type A to type B.
Transmission distance	RS485 Up to 4000ft (1200M).
Signal LED	Power on, TX, RX.
Direct power from USB port	Support
Power consumption:	1.2W
Dimension	151 x 75 x 26 mm

Introduction

SCB-C08 is an independent control device for managing signals from RS-232, RS-422 and RS-485.

Devices such as I/O relay device or speed dome can be easily control by SCB-C08.

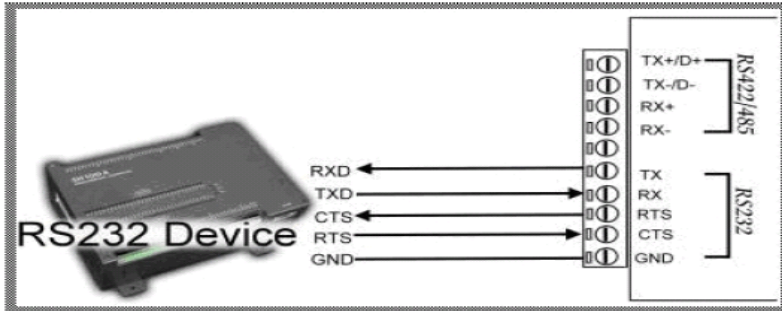
2012.03.29

1. Power Connection (USB Internal Bus)

Direct power input from USB bus port, current 100mA/+5V, no external power necessary

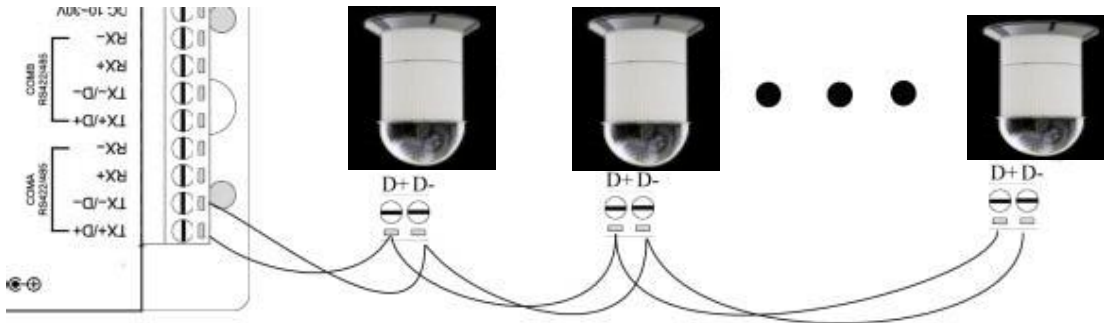
2. RS-232 wiring connection

The RS-232 supports 5 channels plus Signal Ground and is configured as DTE like a computer. Signals are single ended and referred to Ground. To use handshaking or flow control user must set Host PC's RTS/CTS during configuration. Refer to the pin assignment for connection as below.

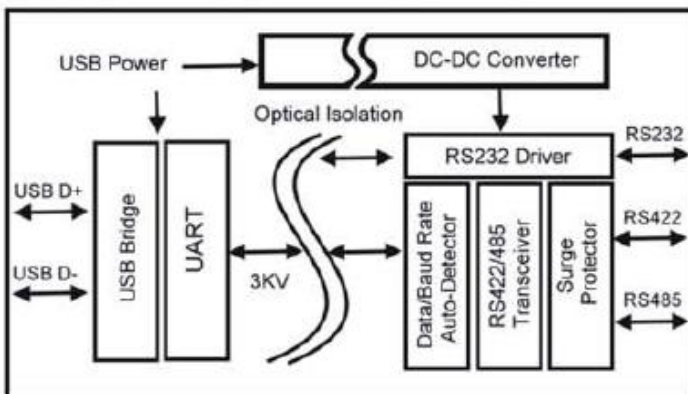


3. RS-485 Wiring connection

The RS-485 mode supports the Transmit and Receive channels using 2-wire half-duplex operation. Refer to the pin assignment for connection as below.

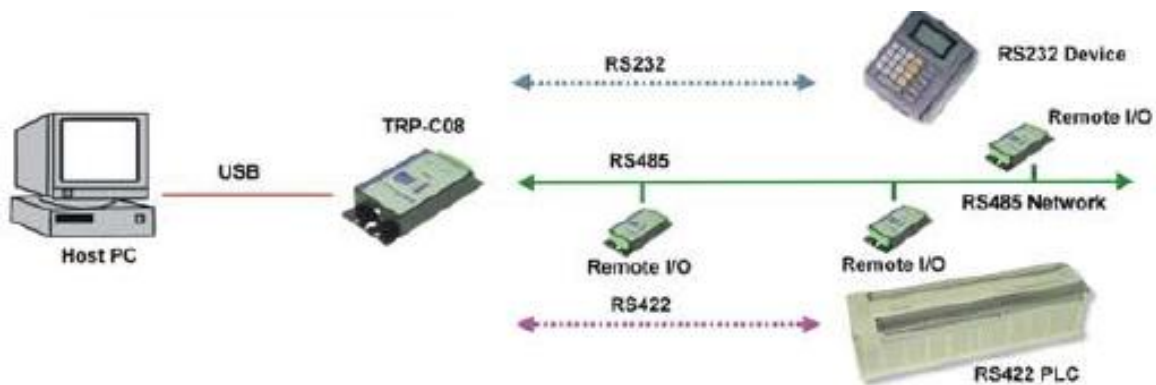


4. Block Diagram



2012.03.29

5. Application Note



SCB-C24

16-ch Digital Output Insolated RS485 Module



Specifications

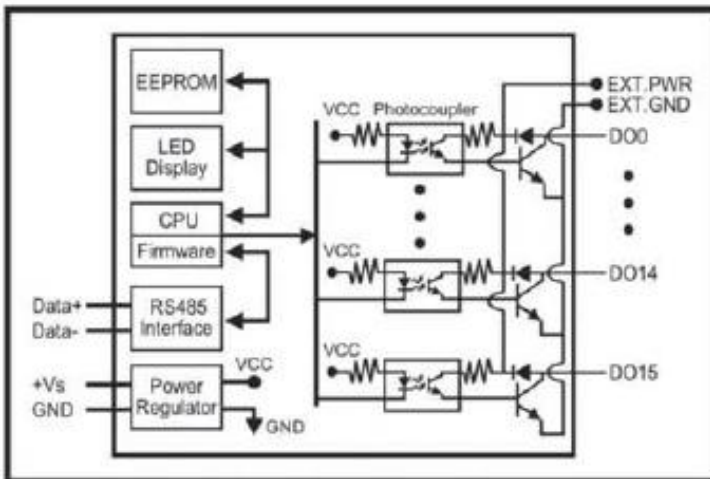
Output Channel	16 digital output channels
Communication Interface	RS-485 differential 2 half / duplex wires
Communication Speed	Baud rate from 1.2 Kbps to 115.2 Kbps
Transmission distance	RS485 Up to 4000ft (1200M).
Signal LED	Power on, all output channels
Dual watchdog	Reset circuit module / Host operating status
Power supply	Screw terminal, or external DC adapter
Power consumption:	1.5W
Dimension	151 x 75 x 26 mm

Introduction

SCB-C26 provides 16 optical isolated digital output channels that allow you to output open collector signal to driven your devices on RS485 network. All channel features screw terminals for convenient connection of field signals as well as LED's to indicate channel status. All inputs are equipped with photo-couplers to protect the module against high voltage spikes and ground potential differences.

1. Block Diagram

2012.03.29



2. Application Note



SCB-C26

16-ch Digital Input Insolated RS485 Module



Specifications

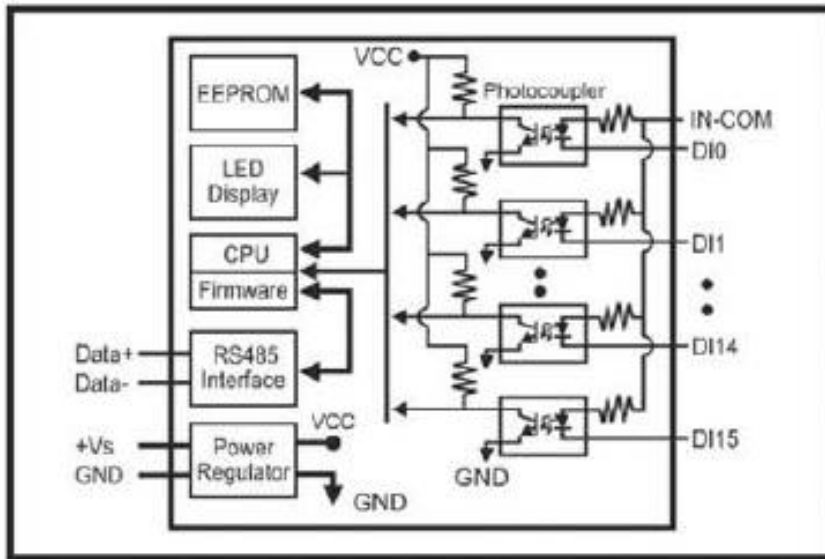
Input Channel	16 digital input channels with counter
Counter Channel/Frequency	16 / 100Hz
Communication Interface	RS-485 differential 2 half / duplex wires
Communication Speed	Baud rate from 1.2 Kbps to 115.2 Kbps
Transmission distance	RS485 Up to 4000ft (1200M).
Signal LED	Power on, all input channels
Dual watchdog	Reset circuit module / Host operating status
Power supply	Screw terminal, or external DC adapter
Power consumption:	1.5W
Dimension	151 x 75 x 26 mm

Introduction

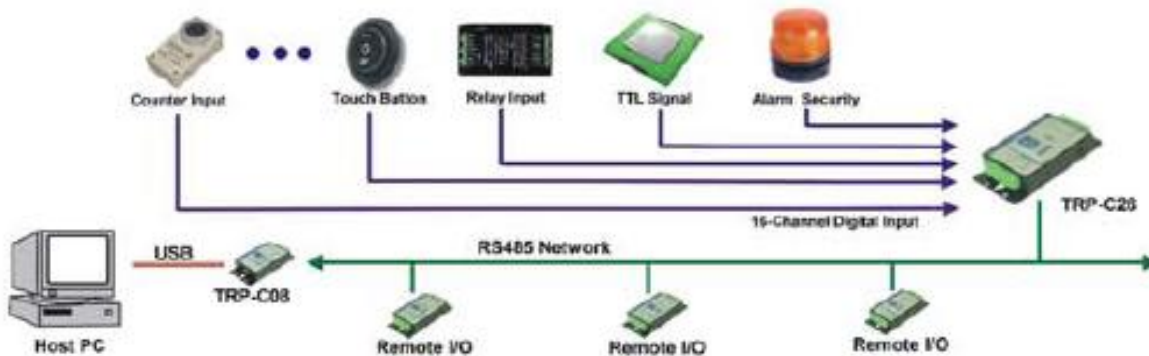
SCB-C26 provides 16 optical isolated digital input channels and all of them can be used as counter. All channel features screw terminals for convenient connection of field signals as well as LED's to indicate channel status. All inputs are equipped with photo-couplers to protect the module against high voltage spikes and ground potential differences.

2012.03.29

3. Block Diagram



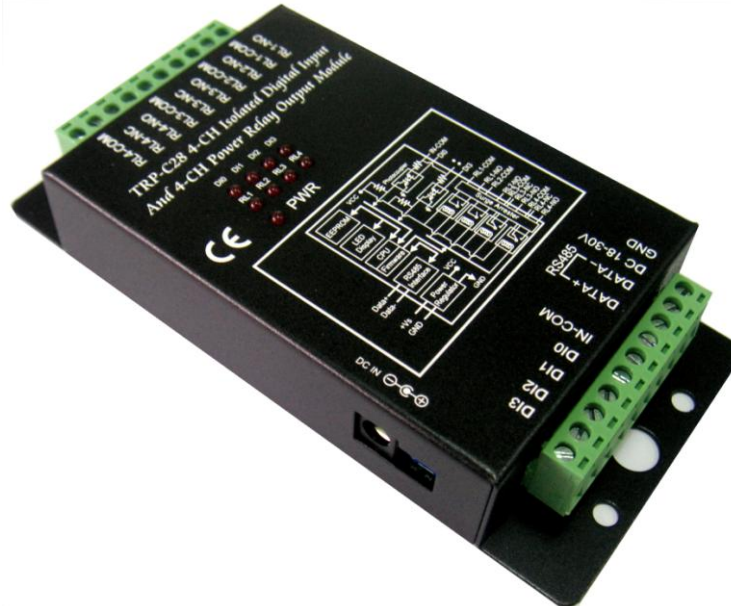
4. Application Note



2012.03.29

SCB-C28

4ch Isolated Digital Input & 4ch Power Relay Output RS485 module



Specifications

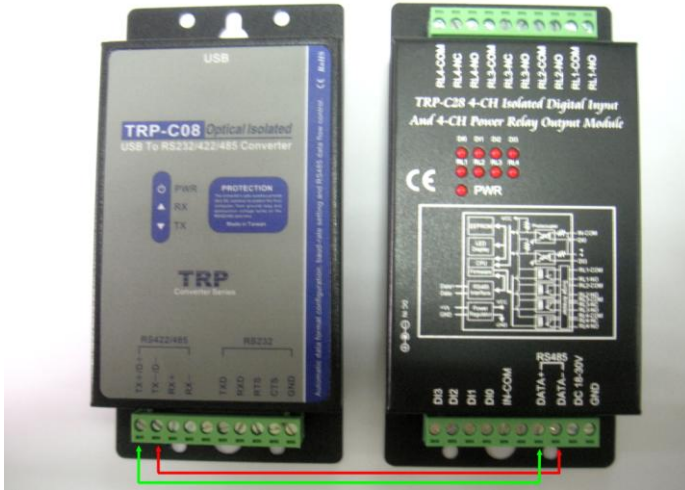
Input Channel	4 digital input channel
Output Channel	4 digital output channel
Counter Channel/Frequency	4 / 100Hz
Communication Interface	RS-485
Communication Speed	Baud rate from 1.2 Kbps to 115.2 Kbps
Relay Type	2 Form A(R1,R2), 2Form C(R3, R4)
Transmission distance	500M
Signal LED	Power on, all input channels
Dual watchdog	Reset circuit module / Host operating status
Power supply	Screw terminal, or external DC adapter
Power consumption:	2.7W
Dimension	151 x 75 x 26 mm

Introduction

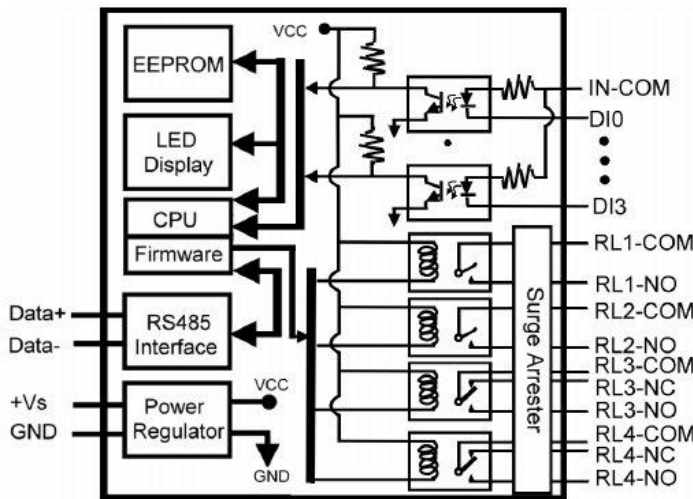
SCB-C28 provides with 4 optical isolated digital input channels and 4 power relays output. All channel features screw terminals for convenient connection of field signals as well as LED's to indicate channel status. SCB-C28 can be easily control by SCB-C08.

2012.03.29

1. Connection between SCB-C08 and SCB-C28



2. Block Diagram

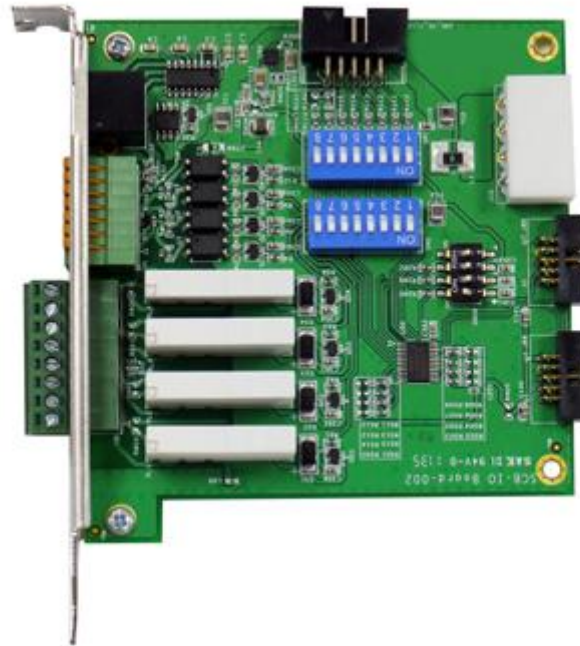


3. Application Note



2012.03.29

SCB-S-IO



Specifications

Model	SCB-S-IO
Support Capture Card Model	SCB-G3-3000, SCB-G3-1000 Series, SCB-6000(S), SCB-7000(S), SCB-7100 series, SCB-8004HD series
Input	4 Input
Output	4 Output
Dimension	105 (W) x 120 (H) mm

Introduction

1000/3000/6000/7000/7100 series connect to S-IO via the **2.54mm socket** (on the top of S-IO card)
 6000S/7000S/8004HD series connect to S-IO via the **2.00mm socket** (on the side of S-IO card)

