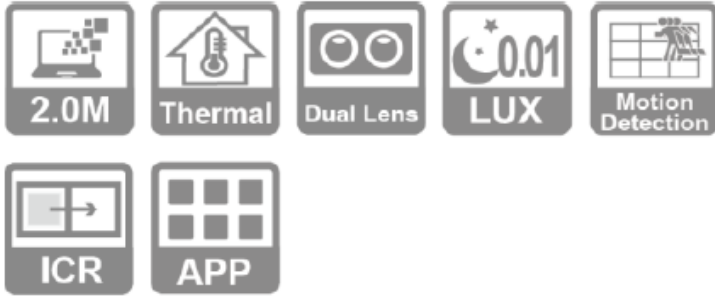


### Thermal Camera

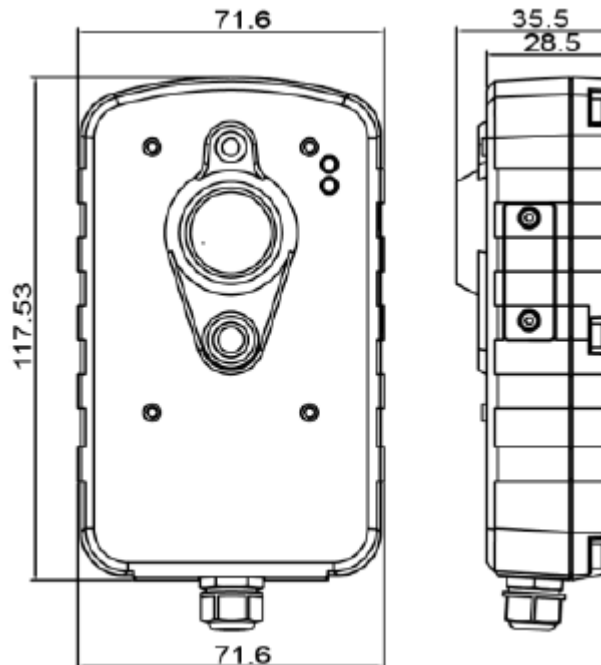
White Light

2M Color Image

Human Body  
Thermal Sensor



### Dimensions



### Main Features

#### 2M Dual Eyes Thermal IP Cube Camera

- Dual Sensor IP camera
- Visible Image for Video 2M pixels Hi-resolution
- Detecting Environment Temperature
- High Temperature Alarm I/O (CGI Support)
- Temperature Risk Management
- Motion Detection
- Support 12Vdc & PoE
- White LED Light on During Alarm

### Hardware Specifications

Thermal Video	Image Sensor	Uncooled VOx Microbolometer
	Resolution; Pixel Size	FUR (USA) 80x60, Progressive Scan; 17 μm
	Spectral Range	Longwave infrared, 8 μm to 14 μm
	Angle of View	H: 51°, V: 38°, D: 64°
	Full Frame Rates	9 fps(NTSC); 9 fps(PAL)
	Thermal Display	B&W/Color/Reverse
	Temperature Detection (Option)	Center & Max. Temperature (MAX 1M / Tolerance. ± 0 · 5°C )
	Temperature Alarm (Option)	(Range 30-45°C)
Visible Video	Image Sensor	1 / 2.9" Sony 2M Exmor CMOS
	Video Resolution	2 Megapixel/1 Megapixel; 1920 x 1080P/1280 x 720@30FPS
	Minimum Illumination	Color: 0.1 Lux@F2.0, Sense-up: 0.001 Lux@F2.0, Light on: 0.0012Lux@F2.0
	White Balance	Support
	Image Setting	Brightness, Contrast, Saturation, Sharpness, Denoise, Grayscale
	Lens	f6.0mm
	WDR	Support
	ICR	N/A
	Aperture	Fixed Lens
	LED ; Working Distance (Meter)	White LEDs ; 5 Meter, Support Manual or Alarm (On/ Off)
OSD Menu	English, Japanese, Traditional Chinese, Simplified Chinese	

General	TV System	PAL/NTSC
	Video Compression	H.264 / MPEG4 / M-JPG
	Browser	IE 10 or Above
	Ethernet	10/100M Auto Negotiation
	Bit Rate	64 up to 12,000 Kbps
	ONVIF	Support ONVIF(Profile S)
	Protocols	TCP, UDP, HTTP, SMTP, FTP, NTP, DNS, DHCP, PPPoE, ARP, UPnP, RTSP, RTP, SNMP, TRAP, ONVIF, Ethernet (RJ-45 Wired 10/100 Base-TX)
	User	Support 9 Users
	Security	ID / Password Protection
	Alarm Trigger	File Upload via FTP and Email/Notification via Email, HTTP, External Digital Output Activation
	Ingress Protection	IP66
	Multicast	Support Multicast Function
	Connector	RJ45, DC Power, Reset Button, SD Slot
	Alarm In / Out	DI / DO
	Power Supply ; Consumption	12Vdc/ PoE; 4W
	Audio	Line In / Line Out 3.5mm
	Temp.; Humidity	-10° C ~ 50°C
	Dimensions	71.6(W) x 117.5(H) x 35.5(D)mm
Net Weight	450g	
Certification	CE/FCC	

### Ordering Information

- 1) NTD-10: For USA market only
- 2) TD-5702: For rest of World (except USA)

### Disclaimer:

The NUUO® Thermal Camera TD-5702 (NTD-10) solution is not a medical device and is not designed or intended for diagnosis, prevention, or treatment of any disease or condition.

The solution is a screening tool that businesses can use to identify individuals with elevated skin temperature. It is recommended that a contactless thermometer is used as a secondary check for anyone showing an elevated temperature during the initial screening.