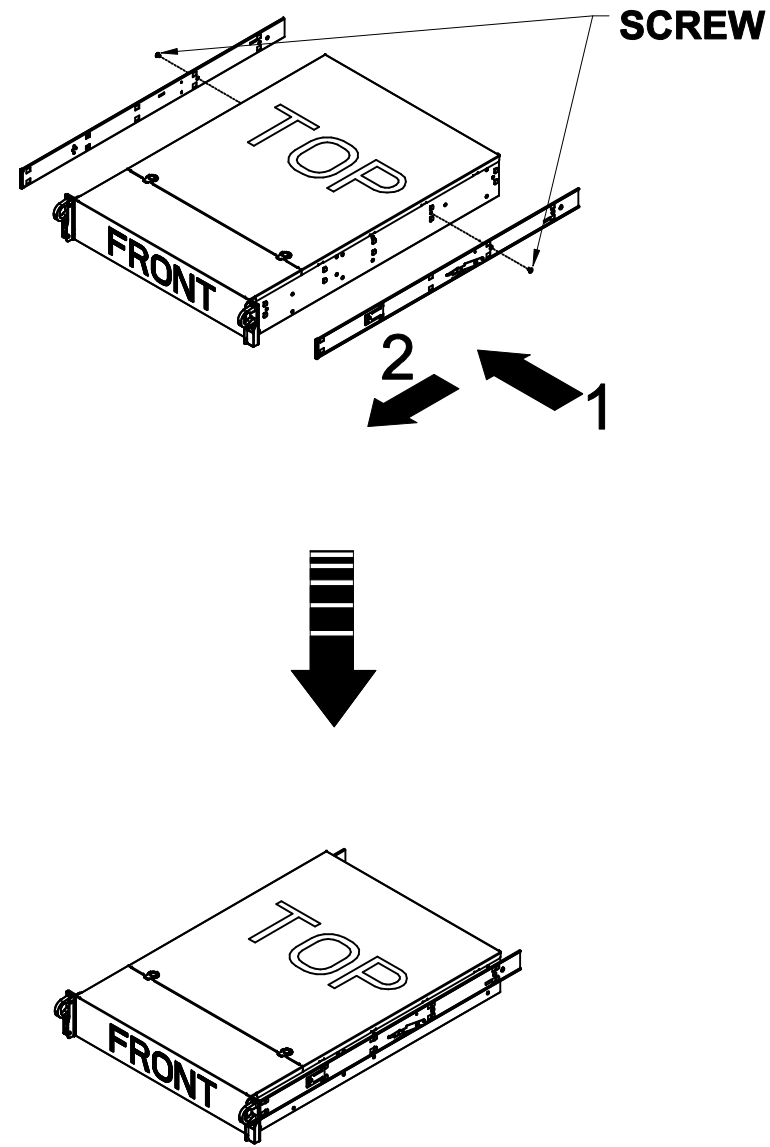


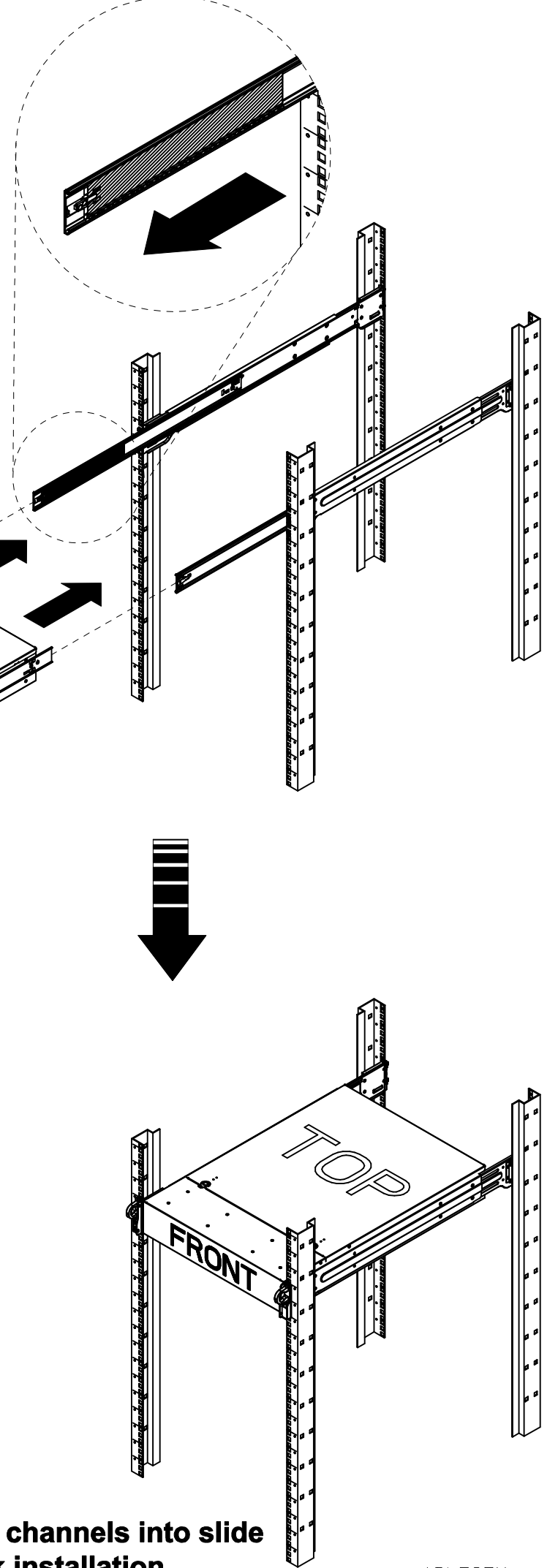
A.



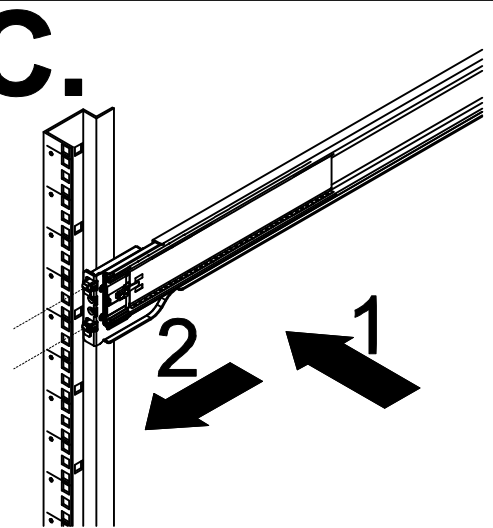
B.

F.

push in to assemble
the front bracket
onto the rail

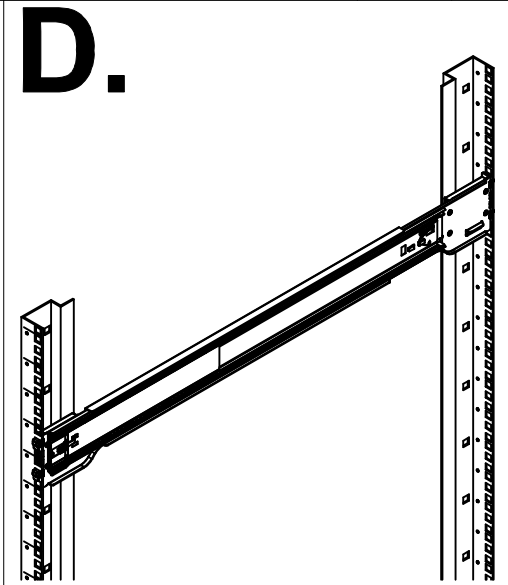


push teh device with inner channels into slide
assemble to complete rack installation



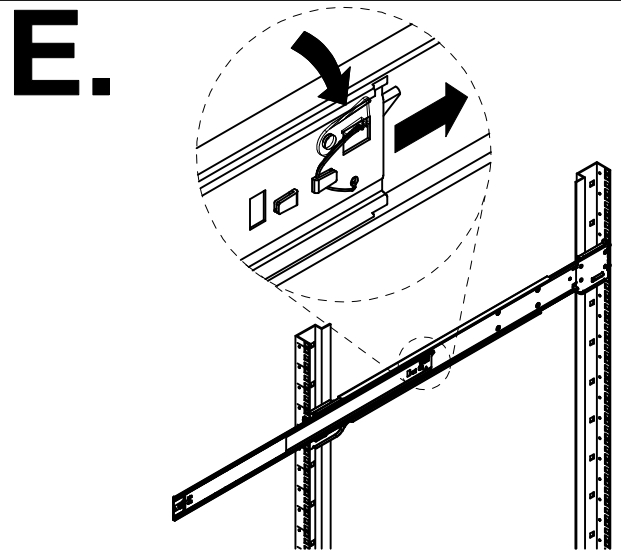
C.

Aligning the Rear Bracket
with the Mounting Hole



D.

now the bracket is
fixed onto the rack



E.

MOVE detent-lock upwards and push
MiddleChannel inwards to retract
Middle Channel